



# 10/100 BASE-T DUAL PORT SURFACE MOUNT MAGNETICS

- Meets IEEE 802.3af & ANSI X 3.263
- Surface mount, open header construction
- Many parts are PoE enabled
- Standard operating temp: 0°C to +70°C (see footnote)
- Industrial operating temp: -40°C to +85°C (see footnote)

## Electrical Specifications @25°C

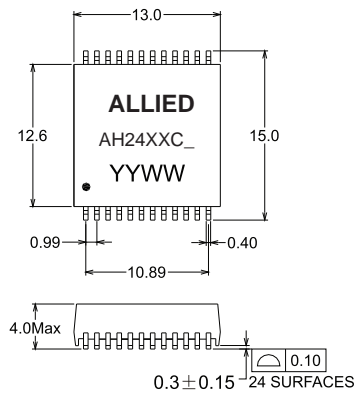
Part Number	OCL(μH Min) @100KHz,0.2V With 8mA DC Bias	Turns Ratio (±3%)	Insertion Loss (dB Max)		Return Loss (dB Min)			Cross talk (dB Min)		CMRR (dB Min) 0.5-100MHz	HI-POT (Vrms)
			0.5-100MHz	0.5-30MHz	30.1-60MHz	60.1-80MHz	0.5-40MHz	40.1-100MHz			
AH2401C_	350	1CT:1CT	1.1	18	18-20*log(f/30)	12	35	33-20*log(f/50)	30	1500	
AH2402C_	350	1CT:1CT	1.1	18	18-20*log(f/30)	12	35	33-20*log(f/50)	30	1500	
AH2403C_	350	1CT:1CT	1.1	18	18-20*log(f/30)	12	35	33-20*log(f/50)	30	1500	
AH2404C_	350	1CT:1CT	1.1	18	18-20*log(f/30)	12	35	33-20*log(f/50)	30	1500	
AH2405C_	350	1CT:1CT	1.1	18	18-20*log(f/30)	12	35	33-20*log(f/50)	30	1500	
AH2406C_	350	1CT:1CT	1.1	18	18-20*log(f/30)	12	35	33-20*log(f/50)	30	1500	
AH2407C_	350	1CT:1CT	1.1	18	18-20*log(f/30)	12	35	33-20*log(f/50)	30	1500	
AH2409C_	350	1CT:1CT	1.1	18	18-20*log(f/30)	12	35	33-20*log(f/50)	30	1500	
AH2411C_	350	1CT:1CT	1.1	18	18-20*log(f/30)	12	35	33-20*log(f/50)	30	1500	
AH2412C_	350	1CT:1CT	1.1	18	18-20*log(f/30)	12	35	33-20*log(f/50)	30	1500	
AH2413C_	350	1CT:1CT	1.1	18	18-20*log(f/30)	12	35	33-20*log(f/50)	30	1500	

\*Complete part number by inserting "S" for Standard Temp or "I" for Industrial Temp.

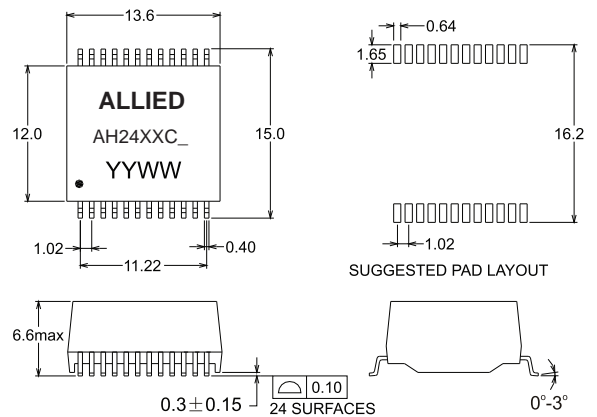
All specifications subject to change without notice.

## MECHANICAL

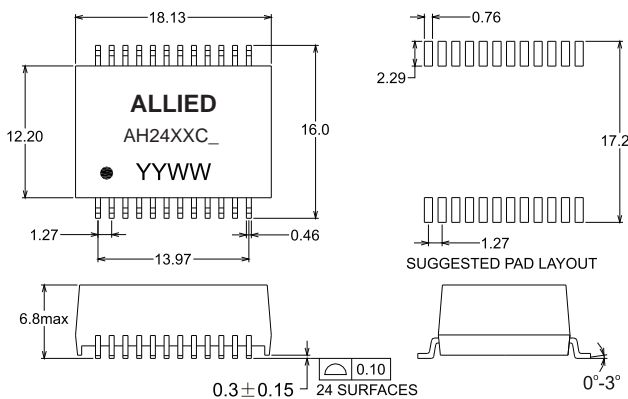
### AH2401C\_, AH2411C\_



### AH2403C\_, AH2405C\_, AH2406C\_ AH2407C\_, AH2412C\_, AH2413C\_



### AH2404C\_



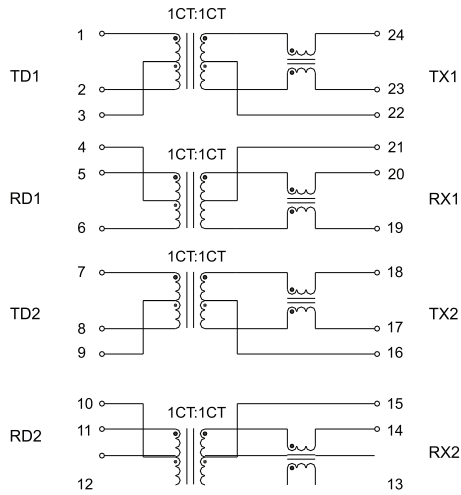
Unless otherwise specified all tolerances are: ±0.25 in mm



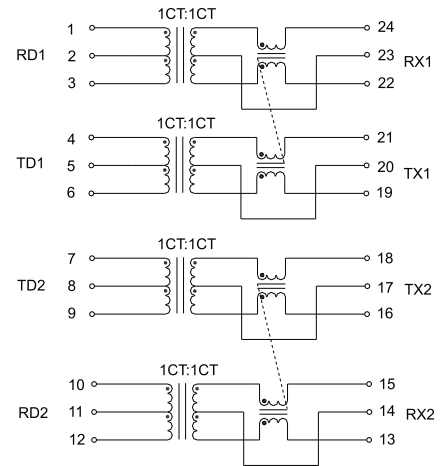
# 10/100 BASE-T DUAL PORT SURFACE MOUNT MAGNETICS

## SCHEMATICS

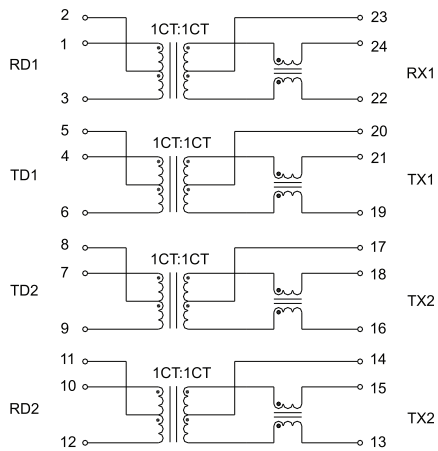
AH2401C\_



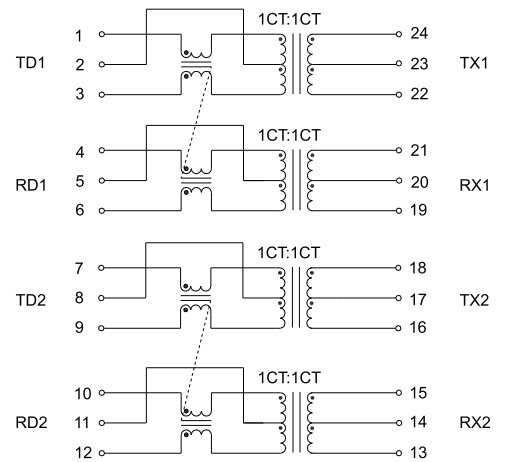
AH2403C\_, AH2404C\_, AH2407C\_  
AH2412C\_, AH2413C\_



AH2406C\_



AH2411C\_



AH2405C\_

